



care about
money

speed

counterfeit
detection

operation
ease

design

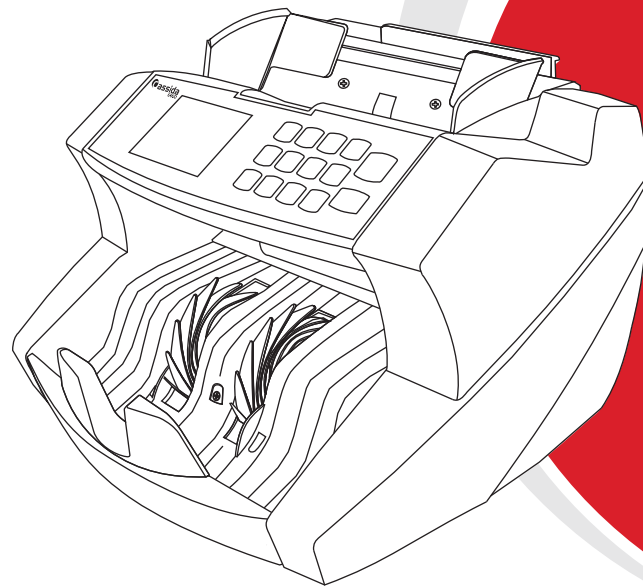
support

quality

Designed by Cassida Corporation, USA
Made in China

©2018 Cassida Corporation. All rights reserved.
Specifications subject to change without notice. Cassida is a registered trademark of Cassida Corporation.
FN 6600NUM REV 0518

Cassida[®]
6600
moving money forward



USER MANUAL

CASSIDA 6600 PROFESSIONAL CURRENCY COUNTER

This manual contains important information on safety measures and operational features. Please read it carefully before operating your currency counter, and keep it for future reference.

Important Safety Notes

When using this unit, basic safety precautions should always be observed, including the following:

- Do not use this unit in areas where it may be exposed to water or any other liquids
- Only use the power cord supplied with the machine. Plug the power cord into a properly grounded wall outlet. Do not remove the ground pin from the power cord. Failure to properly ground the machine can result in severe injury or fire.
- Make certain the unit is installed on a flat surface. Do not operate the machine in areas with high temperature, humidity or smoke, as these conditions may prevent proper operation.
- This unit is designed for indoor use in a ventilated environment. Keep the machine away from direct sunlight and strong magnetic fields. These could interfere with the counterfeit detection sensors.
- When not using the unit for an extended period of time, disconnect the power cord from the wall outlet.
- Unplug the unit from the wall outlet before cleaning. Use a damp cloth or specifically designed maintenance accessories such as an air duster, soft bristle brush, or cleaning cards.
- To avoid the risk of electrical shock, do not disassemble this unit. Disassembly will expose you to dangerous voltages and other safety risks. Incorrect reassembly can cause electrical shock when the appliance is subsequently used.
- Take the unit to a qualified technician when service or repair is required. Do not try to replace any parts yourself. Supplied spare parts are intended for use by qualified personnel only.

Table of contents:

Important safety notes _____	1
1. Introduction	
1.1 About the Cassida 6600 _____	4
1.2 Box contents _____	4
1.3 Specifications _____	5
1.4 Front view _____	6
1.5 Rear view _____	7
1.6 Control panel _____	8
1.7 Display _____	9
2. Getting started	
2.1 Powering up _____	10
2.2 Loading the hopper _____	10
3. Operating modes	
3.1 Auto mode _____	10
3.2 Counting mode _____	11
3.3 Batching mode _____	11
3.4 Adding mode _____	12
3.5 Adding + batching mode _____	13
3.6 Value counting mode _____	13
4. Detection features	
4.1 Counterfeit note detection _____	14
4.2 Double note detection _____	15
4.3 Half note detection _____	16
4.4 Chain note detection _____	17

5. Maintenance and troubleshooting

5.1 Maintenance _____	18
5.2 Troubleshooting _____	20
5.3 Warranty _____	22
5.4 Contact information _____	22

1. INTRODUCTION

1.1 About the Cassida 6600

Thank you for choosing the Cassida 6600 currency counter. We hope you enjoy using it.

The Cassida 6600's uniquely engineered mechanism incorporates the advantages of both backloading and frontloading machines allowing for precision counting of even worn bills. Steel roller shafts and sturdy parts allow this machine to tackle heavy-duty tasks on an everyday basis.

A digital dual counterfeit detection system and a user-friendly interface make this currency counter an invaluable tool in everyday banknote processing tasks.

With a built-in self-checking system and advanced software designed to prevent user errors, the Cassida 6600 is truly a "smart" assistant you can rely upon in any type of cash intensive environment.

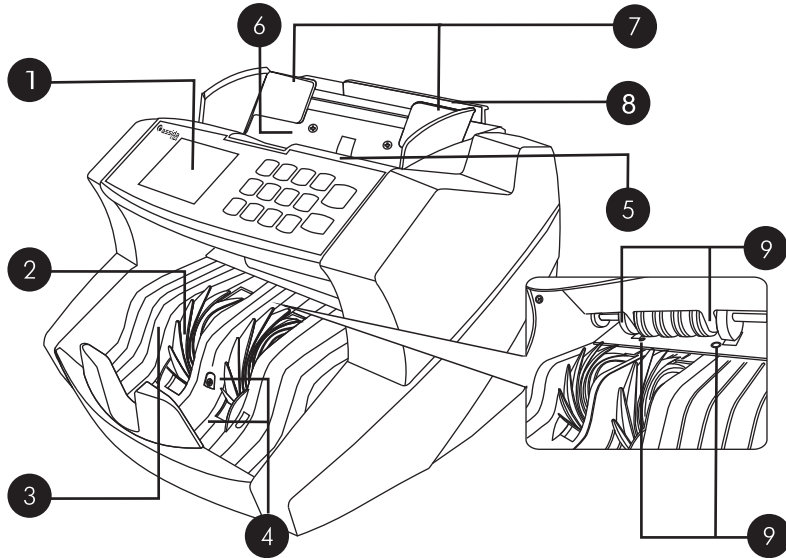
1.2 Box contents

- Cassida 6600 PROFESSIONAL CURRENCY COUNTER
- Power cord
- Maintenance kit
 - Cleaning brush
- User manual

1.3 Specifications

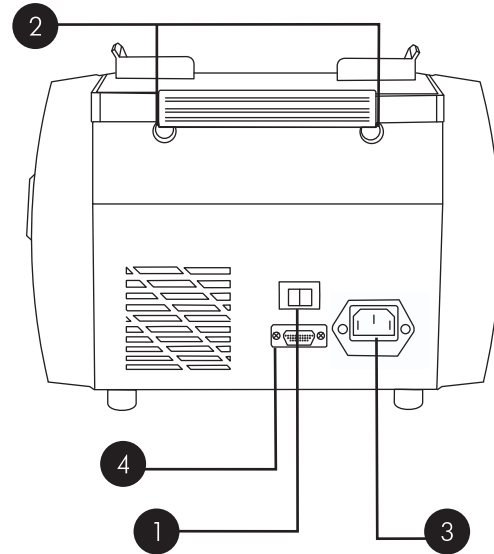
Power supply	AC 110V/60 Hz
Power consumption	< 60W
Counting speed	Approximately 1400 bills/minute
Applicable bill thickness	0.075-0.15mm
Hopper capacity	400 new bills or 200 old bills
Stacker capacity	300 new bills or 150 old bills
Batch range	0-999 banknotes
Feeding system	Roller friction system
Display	TFT 2.8" (71 mm)
Counterfeit detection	UV (Cassida 6600 UV model) UV and MG (Cassida 6600 UV/MG model)
Ambient temperature	32F - 104F (0 - 40C)
Operating humidity	40% - 90%
Size	11" L x 10.2" W x 8.1" H (280 x 260 x 205mm)
Weight	10.8 lbs (4.9 kg)

1.4 Front view



- | | |
|--|--|
| <ol style="list-style-type: none"> 1. Control panel 2. Stacking rollers 3. Stacker 4. Stacker sensors 5. Hopper sensor 6. Hopper 7. Hopper brackets 8. Retractable handle 9. Counting sensors | <ul style="list-style-type: none"> — Programs and operates the Cassida 6600 — Transports counted bills into the stacker — Receives and holds counted bills — Signals presence of bills in the stacker — Signals presence of bills in the hopper — Holds bills that need to be counted — Helps position bills correctly — Used to carry the machine — Counts bills as they pass into the stacker |
|--|--|

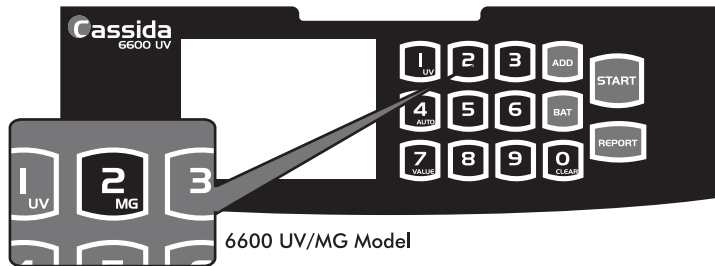
1.5 Rear view



- | | |
|--|--|
| <ol style="list-style-type: none"> 1. Power switch 2. Feed gap adjustment screws 3. Power outlet & fuse 4. RS-232 port | <ul style="list-style-type: none"> — Turns the machine on or off — Adjust for different bill thicknesses (narrow for fresh, new bills; wide for very old bills). <p>NOTE: please do not change this setting unless the machine displays recurrent DBL or CHN error messages. When adjusting, be sure both screws are adjusted equally.</p> <ul style="list-style-type: none"> — To connect the power cord — Optional remote display connection port |
|--|--|

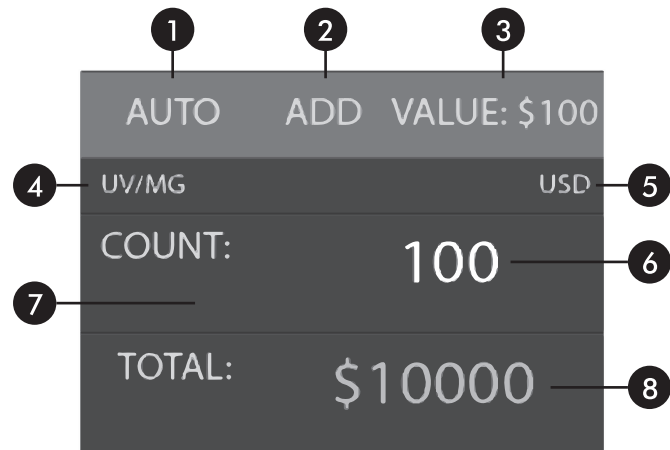
1.6 Control Panel

6600 UV Model



KEY	FUNCTION
ADD	— Activates the ADD mode. The screen will display "ADD" while this mode is active.
UV MG or UV/MG	— Activates counterfeit detection. The screen will display the type of detection active.
AUTO	— Allows the user to select between automatic and manual counting modes. In AUTO mode, counting will begin as soon as bills are placed in the hopper. In MANUAL mode, counting begins when the user presses the "START" button.
START/STOP	— Starts or stops counting
CLEAR	— Clears all counts, deactivates batching mode or value counting mode.
VALUE	— Activates the VALUE counting mode
REPORT	— Displays the total pieces and amount of each denomination counted.
BAT	— Activates the batching mode. The screen will display "BAT:." while this mode is active.
Keypad	— Used to enter custom batch quantities.
TFT Screen	— Displays counts and modes.

1.7 Display



- | | |
|--|--|
| 1 — AUTO or MANUAL Mode | 5 — Selected Currency |
| 2 — ADD Mode Active/Inactive | 6 — Number of Bills Counted |
| 3 — VALUE Mode Active/Inactive or BATCH Mode Active/Inactive | 7 — Displays Batch Complete or Incomplete in BATCH Mode |
| 4 — Counterfeit Detection Active/Inactive | 8 — Total Value of Bills Counted in VALUE MODE or Total Bills Counted in ADD Mode only |

2. GETTING STARTED

2.1 Powering up

After ensuring the hopper is empty, turn the power switch ON. The machine will conduct a self-check by spinning the counting wheels several times. The screen will display "0" when the machine is ready.

2.2 Loading the hopper

It is important to load the hopper correctly in order to avoid jams and to ensure proper operating speed of the machine.

Before loading bills into the 6660, ensure the desired currency and operation modes are selected. Proper placement of bills into the hopper reduces feed errors, jamming, and identification reject errors caused by misaligned bills. Bills should be stacked neatly prior to loading, and placed between the hopper bill guides at the center of the hopper.

Avoid counting bills that are wet, excessively dirty, folded, curled, or otherwise misshapen. Ensure no objects are present in the bills being loaded, including coins, paper clips, rubber bands, or other foreign materials. These objects will damage the 6600 and cause failures.

To Reduce Rejects:

- Place the bills evenly arranged as shown below.
- Adjust bill guides to fit to the size of the bills.
- Correct the bills if they are severely wrinkled or damaged.

3. OPERATING MODES

3.1 Auto mode

After turning the machine on it will default to Auto mode and "AUTO" will be displayed on the main screen. In this mode the machine starts counting automatically.

If the machine is set to operate with the Manual mode, by pressing the Auto button to display "MANUAL" on the main screen, the machine will stop counting automatically; the START button must be pressed to begin each count.

To go back to Auto mode, press the AUTO button again.

3.2 Counting mode

After the machine is turned on, it defaults to counting mode. To switch to counting mode from another mode (ADD or BATCH), deactivate the mode you were previously using. The machine will automatically revert to counting mode.

To count bills, place them in the hopper (see section 2.2, "Loading the hopper"). The machine will start counting the bills automatically, and will move the bills from the hopper to the stacker as it counts them.

The machine will stop counting when the hopper is completely emptied, and will emit a confirmation beep. The counted number of bills will be displayed on the screen. The screen will clear itself of the previous count before the machine starts counting a new stack.

Placing additional bills in the hopper:

Be sure the stacker does not accumulate more bills than it can hold (approximately 300 new bills or 150 old bills), as this will cause jamming, and may lead to a motor failure.

3.3 Batching mode

To switch to batching mode, press the BAT button. By default, the batch quantity is preset to 100. Use the BAT button to select other preset quantity (50, 20, 10) or enter the desired batch quantity using the numeric keypad. The entered batch quantity will be displayed on the top right corner of the screen.

The machine will start counting automatically once bills are placed in the hopper. As soon as the machine counts the desired batch quantity, it will stop and emit a confirmation beep. The screen will display "BATCH COMPLETE" and show the number of bills in the stacker. When the stacker is emptied, the machine will automatically start counting the next preset batch quantity.

If the number of counted bills in the stacker does not reach the preset batch quantity, the large screen will blink with the actual number of bills counted, and the machine will emit two beeps and display "BATCH INCOMPLETE" with the actual number of bills counted. To complete the batch, place additional bills in the hopper. The machine will automatically count the required number of bills to complete the batch.

Changing the desired batch quantity while batching:

To change the batch quantity, wait until the machine completes the current batch. Enter the new batch quantity using the numeric keypad. Please be sure to empty the stacker before placing new bills in the hopper.

If the previous batch was completed, the machine will automatically start counting to the newly set batch quantity once the stacker is emptied.

To exit this mode, press the "CLEAR" button or the "BAT" until it disappears from the screen.

3.4 Adding mode

In this mode, the machine will count multiple stacks of bills while keeping track of the total amount of bills counted.

To switch to adding mode, press the ADD button and ADD will be displayed on the screen.

Place the bills in the hopper. The machine will start counting automatically. The machine will emit a confirmation beep once the hopper is empty. The total number of bills counted will be displayed next to "TOTAL:" while the last count will be displayed next to "COUNT:"

Empty the stacker, and refill the hopper. The machine will continue counting, adding the new count to the total count.

To reset the count, press the "CLEAR" button, and both the total and the last count will clear.

To continue adding without emptying the stacker, just refill the hopper. The machine will continue counting, adding the new stack of bills to the partially full stacker.

Please ensure to not accumulate more bills than the stacker can hold (approximately 300 new bills or 150 old bills), as this will cause jamming, or could lead to a motor failure.

3.5 Adding and batching mode

This mode allows the user to batch the desired quantity of bills, and monitor the running total at the same time. To activate this mode, press the "ADD" and the "BAT" button. Both "ADD" and "BAT:" will be displayed on the screen.

To reset the count, press button "CLEAR".

3.6 Value counting mode

This mode displays the total value of bills counted. The 6600 uses a user-defined bill denomination as a multiplier, displaying the total value of bills counted (for example, a denomination of \$20 x 25 bills counted = 500 displayed).

To activate this feature, press the VALUE button. "VALUE: \$1" will be displayed on the top right corner. Continue to press the VALUE button to select a denomination of 1, 2, 5, 10, 20, 50, or 100.

After selecting the desired denomination, load the bills to be counted into the hopper, ensuring that the denomination of the bills matches the selected denomination. The 6600 will count the stack and display both the total value and the number of bills counted on the screen.

To exit the Value Counting feature, press the "CLEAR" button.

Value counting in Add mode:

This mode allows users to count different denominations of bills while keeping track of the total value of bills counted.

To activate this feature, press the ADD button and the VALUE button to select the desired denomination.

4. DETECTION FEATURES

4.1 Counterfeit note detection

Cassida 6600UV model:

The Cassida 6600 UV is able to check for suspect counterfeit bills using ultraviolet sensors. Press the UV button to activate UV counterfeit detection. "UV" will be displayed on the screen while this feature is enable.

The machine will beep and stop counting when a suspect bill is detected, and a "UV ERROR" message will be displayed on the screen with instructions. To continue counting, remove the suspect bill, which will be the last one in the stacker, and press the START button. The machine will start counting again, and will not add the suspect bill to the count. This feature allows users to continue operation without losing count, and is especially time saving in the adding mode.

To disable the UV detection feature, press the UV button again.

Cassida 6600 UV/MG model:

The Cassida 6600 UV/MG is able to check for suspect counterfeit bills using ultraviolet sensors and magnetic ink detection. Press the UV and MG buttons to activate UV/MG counterfeit detection. "UV", "MG" or "UV/MG" will be displayed on the screen while this feature is enabled.

The machine will beep and stop counting when a suspect bill is detected, and a "UV ERROR" or "MG ERROR" will be displayed on the screen with instructions. To continue counting, remove the suspect bill, which will be the last one in the stacker, and press the START button. The machine will start counting again, and will not add the counterfeit bill to the count. This feature allows users to continue operation without losing count, losing count, and saves considerable time when used with adding mode.

Please note that the 6600 series counters, like all other counters with integrated detectors on the market, cannot guarantee a counted bill to be genuine or counterfeit. There are several reasons a genuine bill may be recognized as counterfeit, or vice versa. Possible reasons include: direct sunlight exposure, worn bills, excessively dirty bills, or highly advanced counterfeiting techniques used to produce the bill. Separate equipment may be required to definitively determine whether or not a bill is counterfeit.

4.2 Double note detection

Bills may stick to each other due to excessive dirt, folding, or various other reasons. The Cassida 6600 uses infrared light (IR) based technology to determine when two bills are stuck together. This feature is automatically activated in all modes for the user's convenience.

The machine will start beeping, and stop counting when a double bill is detected. A "DOUBLE NOTE ERROR" with instructions will be displayed on the screen.

To clear the error, all bills must be removed from the stacker. The last count will reset. All bills in the stacker must then be placed back in the hopper and recounted.

Smart double note detection in adding mode:

When a double note is detected in adding mode, the machine enables users to continue counting by automatically correcting the total number of counted bills on the screen. When the machine stops, remove all the bills from the stacker and machine will not add them to the total count.

4.3 Half note detection

The Cassida 6600 incorporates infrared light (IR) sensors that notify users if a half note passes through the counting mechanism. This feature is activated automatically in all modes for the users convenience.

The machine will emit a warning beep and stop automatically when a half note is detected. A "HALF NOTE ERROR" with instructions will be displayed on the screen.

To clear the error, all bills must be removed from the stacker. The last count will reset. All bills in the stacker must then be placed back in the hopper and recounted.

Smart half note detection in adding mode:

When a half note is detected in adding mode, the machine enables users to continue counting by automatically correcting the total number of counted bills. When the machine stops, remove all the bills from the stacker and the machine will not add them to the total count.

4.4 Chain note detection

The Cassida 6600 utilizes a self-checking system that alerts users in rare cases when several notes pass through the counting mechanism at once. This feature is activated automatically in all modes for user's convenience.

The machine will emit a warning double beep and stop automatically when a chain note is detected. A "CHAIN NOTE ERROR" with instructions will be displayed on the screen.

To clear the error, all bills must be removed from the stacker. The last count will reset. All bills in the stacker must then be placed back in the hopper and recounted.

Smart chain note detection in adding mode:

When a chain note is detected in adding mode, the machine enables the user to continue counting by automatically correcting the total number of counted bills. When the machine stops, remove all the bills from the stacker and the machine will not add them to the total count.

5. MAINTENANCE AND TROUBLESHOOTING

5.1 Maintenance

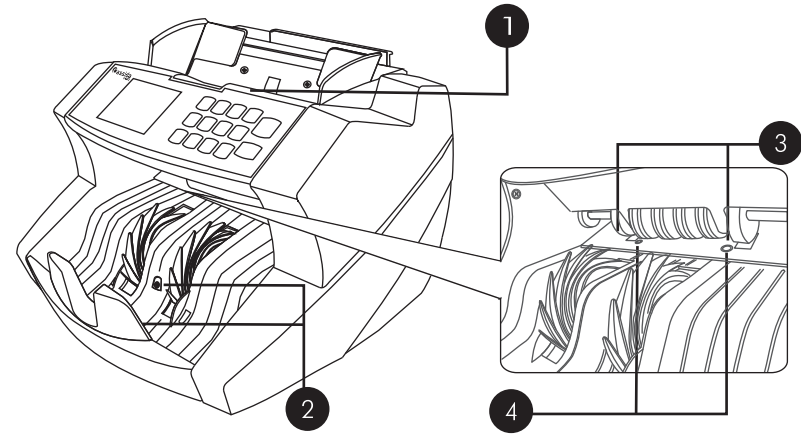
ATTENTION: Always power off unit and disconnect from power source before cleaning

Most operational problems can be avoided by regular care and preventive maintenance. Taking regular care of your currency counter will significantly increase its lifetime and help you avoid costly repairs. To avoid problems, make sure there are no metal clips or rubber bands present in the bills to be counted.

Bill transport and sensor cleaning – after five (5) hours of operation or once a month, whichever comes first. Use a can of compressed air and a soft bristle brush to remove dust and other particles from all sensors. Use a Cassida CleanPro swab to clean all counting sensors. Run a Cassida CleanBill Pro currency cleaning card to clean internal rubber rollers.

Tip: To maximize the effectiveness of the CleanBill Pro, run it through the machine several times, flipping the card over and moving it from right to left / left to right with each pass. Excessive dirt may require the use of more than one CleanBill Pro.

When not using your machine for an extended period of time, cover it with a protective cloth or plastic sheet. This will prevent dust from settling inside.



1. Hopper sensor
2. Stacker sensors
3. Upper counting sensors
4. Lower counting sensors

5.2 Troubleshooting

For error messages, please refer to the table below:

Error code	Cause	Solution
UV	Counterfeit bill detected	Remove the last bill from the stacker and press the START button to continue counting. The suspect bill will not be added to the count. Refer to section 4.1 "Counterfeit detection" for more details.
MG	Counterfeit bill detected	Remove the last bill from the stacker and press the START button to continue counting. The suspect bill will not be added to the count. Refer to section 4.1 "Counterfeit detection" for more details.
DOUBLE NOTE	The last counted bill is a double note	Remove the double note from the stacker and recount all other notes in the stacker. Refer to section 4.2 "Double note detection" for more details.
HALF NOTE	A half bill was detected	Remove the half bill from the stacker. Recount all other bills in the stacker. Refer to section 4.3 "Half note detection" for more details.
CHAIN NOTE	Two or more notes have passed through the unit at the same time	Remove all bills from the stacker and recount them. Refer to section 4.4 "Chain note detection" for more details.
HOPPER SENSOR	There are bills in the hopper	Remove the bills from the hopper to allow the machine to complete its self-check.
	Hopper sensor may have collected dust.	Clean the sensor with a soft bristle brush and compressed air. Refer to section 5.1.

MOTOR SENSOR	Issue with the main motor	Turn off the machine. Remove any jammed bills or foreign objects by turning rollers or wheels manually. If the issue persists, contact the technical service center.
	Belt is damaged	
ULTRAVIOLET SENSOR	Counting sensors may have collected dust	Clean the sensors with compressed air and a soft bristle brush. Refer to section 5.1.
IR1 & IR2 SENSOR		
COUNT SENSOR		
STACKER SENSOR	There are bills in the stacker	Remove bills from the stacker to allow the machine to complete its self check.
	Stacking sensors may have collected dust	Clean the sensors with compressed air and a soft bristle brush. Refer to section 5.1.

Other possible errors:

Problem description	Cause/Action
Does not operate after turned on.	Ensure power cord is plugged in. Verify indicator light is lit on the DC power converter module. Check fuse and replace if damage noted.
Machine fails to detect a counterfeit note.	The UV sensor may have collected dust. Try cleaning the UV sensor by spraying the counting mechanism using compressed air.
Inaccurate counting	Feed gap is too wide. This may happen when brand new notes are counted, since their thickness differs greatly from used notes. Narrow the feed gap slightly by turning the feed gap adjustment screws counterclockwise. See section 1.3 "Rear view". Adjust 1 turn and retest. Repeat until the gap is properly adjusted.

Problem description	Cause/Action
Bills jam	Foreign objects present in bill stack. Turn off the machine. Remove any jammed bills by turning rollers and wheels manually, if necessary. Inspect the machine and remove any foreign objects such as paper clips or rubber bands.
	Feed gap may be set too narrow. Widen the feed gap slightly by turning the feed gap adjustment screws clockwise. See section 1.3 "Rear view". Adjust 1 turn and retest. Repeat until the gap is properly adjusted.

5.3 Warranty

Warranty registration:

To activate your warranty in the US or Canada, please register your product online by visiting www.cassidausa.com/register

In other countries, go to www.cassidaglobal.com/register

In most cases, the malfunction of the machine can be resolved by cleaning the unit. Please refer to section 5.1 for guidelines.

IMPORTANT: You must register your Cassida product to activate the warranty. Register at www.cassidausa.com/warranty-registration

Non-warranty Service:

Cassida can perform maintenance and cleaning for an extra fee. For a non-warranty repair/maintenance quote, contact Cassida Technical Support at www.cassidausa.com/support

Shipping:

The warranty does not cover the cost of shipping to Cassida's Technical Service Center.

5.4 Contact information

All Cassida products are backed by a one-year warranty on parts and labor. Registration is required. Please visit www.cassidausa.com/support for warranty details and access to online registration.

Technical Support contact information:

email: support@cassidausa.com

phone: 1-888-800-0303

If you need to contact Cassida Technical Service Center, please have the following information with you:

- **Product Model:** Located on the back side of the machine
- **Serial Number:** Located on the bottom of the machine
- **Nature of the Problem:** What happened, and when did it happen? Did the machine display an error message?
- **Steps Taken:** Steps already taken to resolve the problem, and the results (if any)